

Materials:

Housing: Rugged die-cast aluminum housing, painted blue

Wetted Parts: 316 SS with o-ring (ceramic diaphragm optional)

Performance:

Enclosure Rating: IP67

Temperature Ranges:

Working: -40/85°C (with display -20/70°C),
-40/185°F (with display -4/158°F)

Storage: -40/110°C (with display -40/85°C),
-40/230°F (with display -40/185°F)

Media: Silicone oil filling: -40/120°C (-40/248°F)

Overload Pressure: 1.5 x rated pressure

Accuracy: 0.5 % URL standard, 0.2% optional

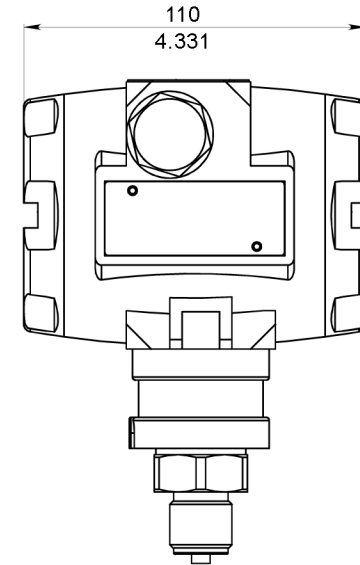
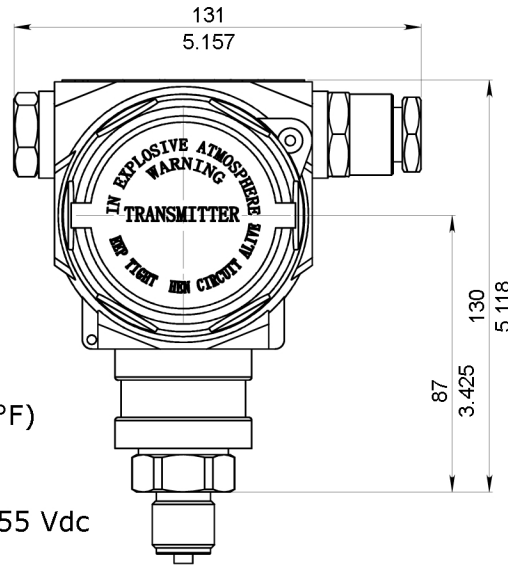
Output Signal: 2-wire: 4/20 mA / V=10.5-55 Vdc

2-wire + HART: 4/20 mA / V=16.5-55 Vdc

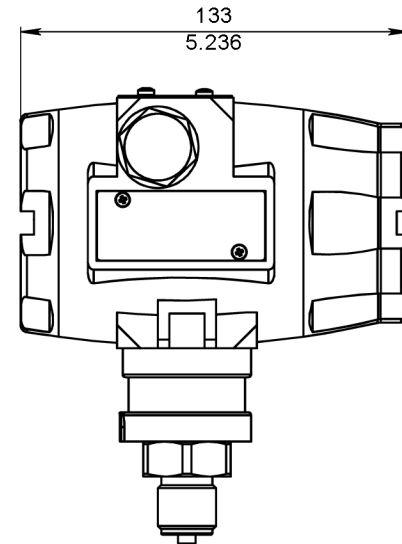
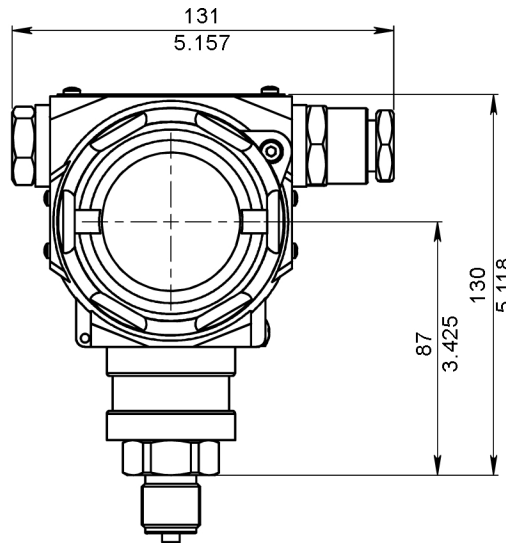
3-wire: 1/5 Vdc / V=12-30 Vdc

Modbus, 2-wire: V=12-30 Vdc

Without Display



With Display



DRAWN BY: LUKE CORRY

ENG. APPROVAL:

DR

ALL DIMENSIONS IN INCHES/MM

TOLERANCES
(unless otherwise stated)

Fractional: $\frac{1}{64}$ " 0.4mm

Decimal: 0.06" 1.5mm

REVISION DATE: # 1, 06/24/2020

TITLE:

LY16 SERIES WINSMART PRESSURE TRANSMITTER

DRAWING NO: LY16 SERIES