

**Materials:**

Housing: Rugged die-cast aluminum housing,  
painted blue

Wetted Parts: 316L SS with PTFE o-ring (Hastelloy® C optional)

**Performance:**

Enclosure Rating: IP67

Temperature Ranges:

Working: -40/85°C (with display -20/70°C),  
-40/185°F (with display -4/158°F)

Storage: -40/110°C (with display -40/85°C),  
-40/230°F (with display -40/185°F)

Media: Silicone oil filling: -40/120°C (-40/248°F)

Overload Pressure: Maximum of 3600 or 6000 psi

Accuracy: 0.075 % URL standard, 0.05% optional

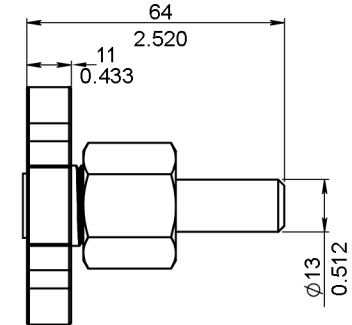
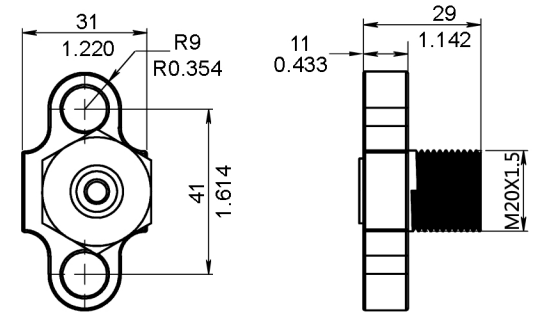
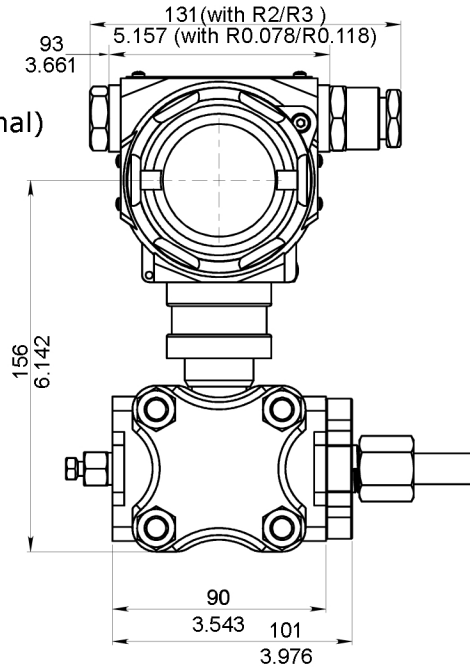
Output Signal: 2-wire: 4/20 mA / V=10.5-55 Vdc

2-wire + HART: 4/20 mA / V=16.5-55 Vdc

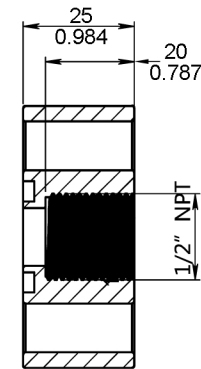
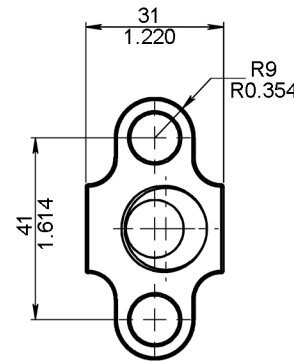
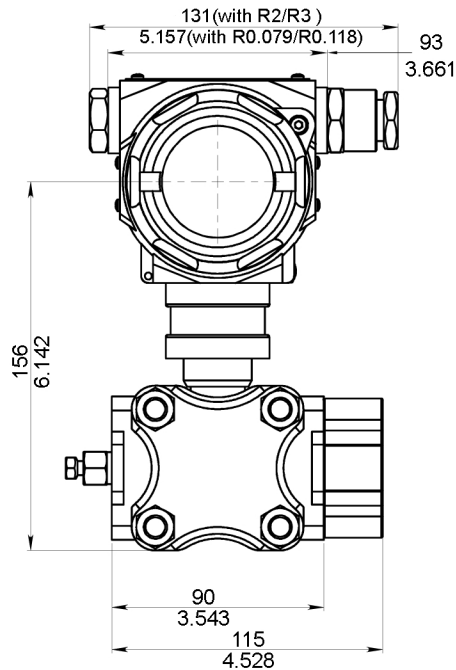
3-wire: 1/5 Vdc / V=12-30 Vdc

Modbus, 2-wire: V=12-30 Vdc

**With Adaptor A1**



**With Adaptor A2**



DRAWN BY: LUKE CORRY

ENG. APPROVAL:

DR

ALL DIMENSIONS IN INCHES/MM

TOLERANCES  
(unless otherwise stated)

Fractional:  $\frac{1}{64}$ " 0.4mm

Decimal: 0.06" 1.5mm

REVISION DATE: # 1, 06/24/2020

TITLE:

LY36 SERIES WINSMART DIFFERENTIAL PRESSURE  
TRANSMITTER

DRAWING NO: LY36 SERIES