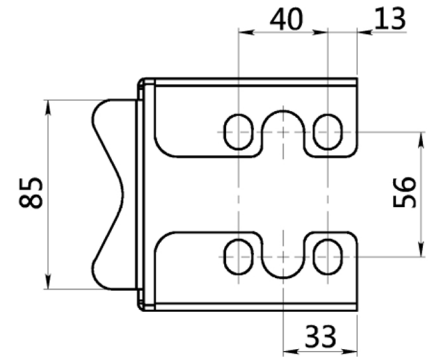
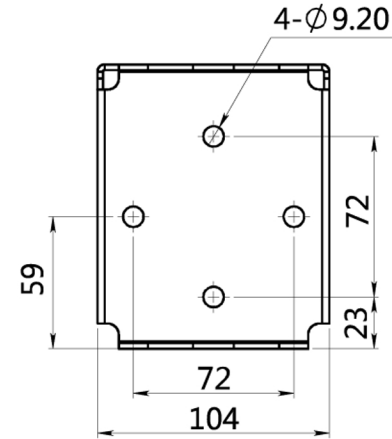
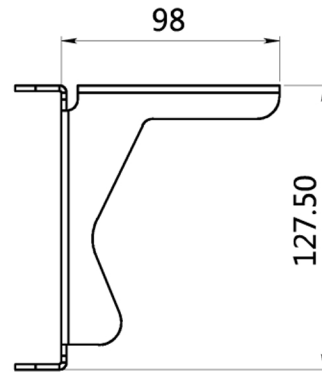
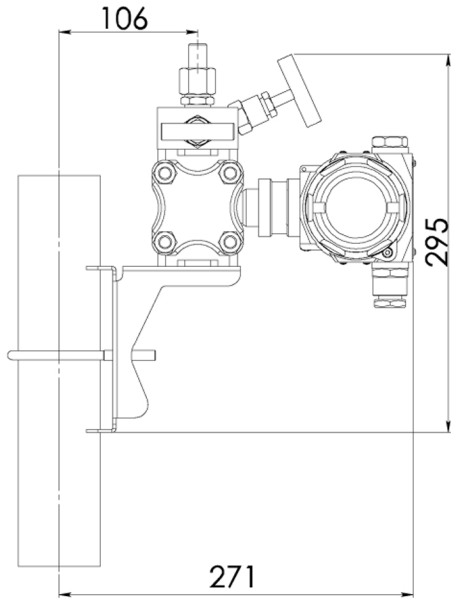


Material: 304 SS



DRAWN BY: LUKE CORRY

ENG. APPROVAL:

ALL DIMENSIONS IN INCHES/MM

TOLERANCES  
(unless otherwise stated)

Fractional:  $\frac{1}{64}$ " 0.4mm

Decimal: 0.06" 1.5mm

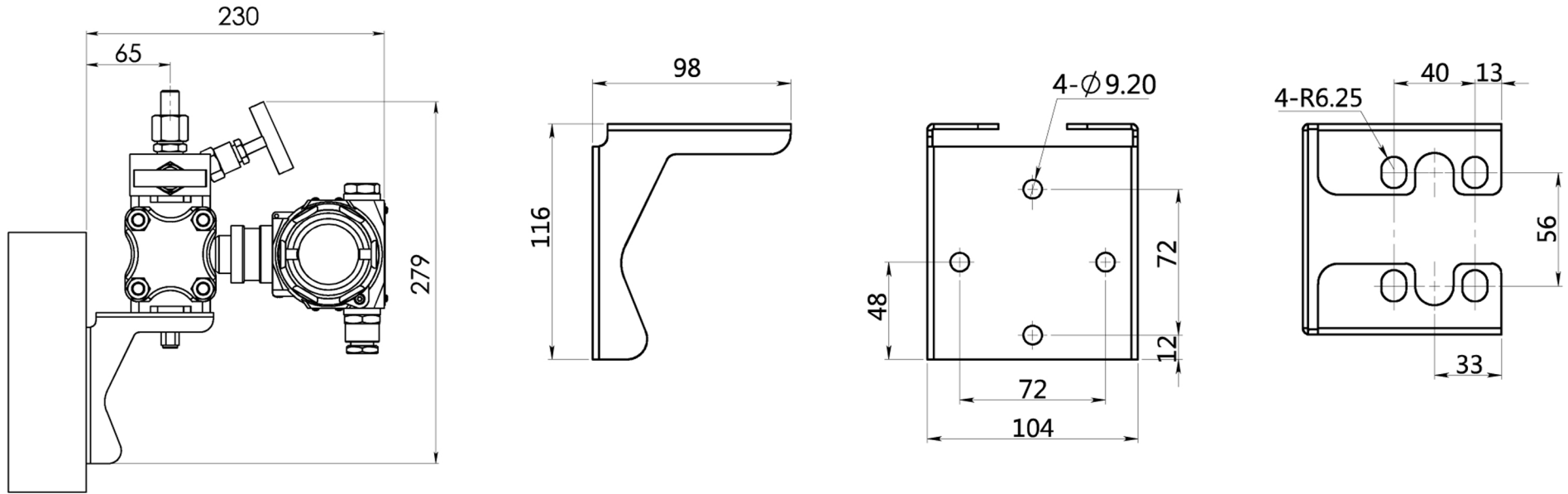
REVISION DATE: 08/26/2020

TITLE:

LY36 SERIES WINSMART DIFFERENTIAL PRESSURE TRANSMITTER  
PIPE BRACKET

DRAWING NO: LY36B1

Material: 304 SS



DRAWN BY: LUKE CORRY

ENG. APPROVAL:

ALL DIMENSIONS IN INCHES/MM

| TOLERANCES<br>(unless otherwise stated) |                        |
|---|------------------------|
| Fractional:                             | $\frac{1}{64}$ " 0.4mm |
| Decimal:                                | 0.06" 1.5mm            |

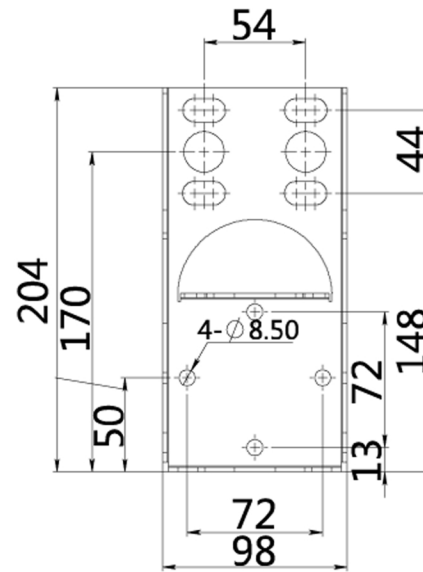
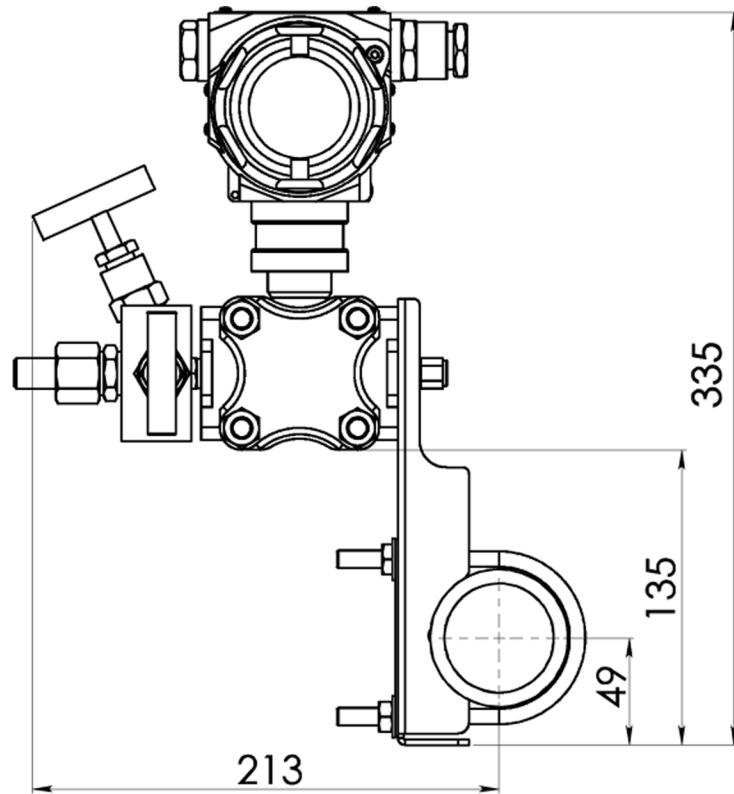
REVISION DATE: 08/26/2020

TITLE:

LY36 SERIES WINSMART DIFFERENTIAL PRESSURE TRANSMITTER PLATE BRACKET

DRAWING NO: LY36B2

Material: 304 SS



DRAWN BY: LUKE CORRY

ENG. APPROVAL:

ALL DIMENSIONS IN INCHES/MM

| TOLERANCES<br>(unless otherwise stated) |                        |
|---|------------------------|
| Fractional:                             | $\frac{1}{64}$ " 0.4mm |
| Decimal:                                | 0.06" 1.5mm            |

REVISION DATE: 08/26/2020

TITLE:

LY36 SERIES WINSMART DIFFERENTIAL PRESSURE TRANSMITTER FLAT PIPE BRACKET

DRAWING NO: LY36B3