



Description & Features:

- All stainless steel with electro-polished finish
- Helium leak tested
- Industrial grade polycarbonate lens
- Swivel face seal and NPT connections
- Grade A or Grade B accuracy class
- ASME B40.100 compliant
- CRN registered
- 5 year warranty

Applications:

- Designed for high purity gas distribution applications in biotechnology, semiconductor, electronic and pharmaceutical industries

Specifications

Dial	1.5" (35mm), 2" (50mm), 2.5" (63mm) aluminum
Case	304 SS, electro-polished with pressure relief
Lens	Polycarbonate, twist-lock
Over-pressure Limit	25% up to 1,500 psi 15% over 1,500 psi
Bourdon Tube	316L SS
Socket	316L SS
Movement	304 SS
Enclosure Rating	IP54/NEMA 3
Wetted Parts	316L SS, Ra = 10 microinches
Ambient Temperature	-40°F to 150°F (-40°C to 65°C)
Process Temperature	212°F (100°C) maximum
Accuracy	1.5" (35mm): ±3-2-3% 2" (50mm) and 2.5 (63mm): ±2-1-2%
Agency Compliance	Assembled and packaged in Class 10 clean room

Order Codes

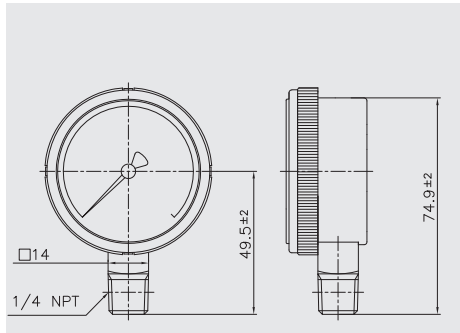
Dial Size	1.5" (40mm)			2" (50mm)					
	1/4" NPTM Back	Male Swivel Back	Female Swivel Back	1/4" NPTM Bottom	Male Swivel Bottom	Female Swivel Bottom	1/4" NPTM Back	Male Swivel Back	Female Swivel Back
30" Hg Vac/kPa	-	-	-	PUP2000	PUP2020	PUP2040	PUP2000B	PUP2020B	PUP2040B
30"/0/15 psi/kPa	-	-	-	PUP2001	PUP2021	PUP2041	PUP2001B	PUP2021B	PUP2041B
30"/0/30 psi/kPa	-	-	-	PUP2002	PUP2022	PUP2042	PUP2002B	PUP2022B	PUP2042B
30"/0/60 psi/kPa	-	-	-	PUP2003	PUP2023	PUP2043	PUP2003B	PUP2023B	PUP2043B
30"/0/100 psi/kPa	-	-	-	PUP2004	PUP2024	PUP2044	PUP2004B	PUP2024B	PUP2044B
30"/0/150 psi/kPa	-	-	-	PUP2005	PUP2025	PUP2045	PUP2005B	PUP2025B	PUP2045B
30"/0/200 psi/kPa	-	-	-	PUP2006	PUP2026	PUP2046	PUP2006B	PUP2026B	PUP2046B
30"/0/300 psi/kPa	-	-	-	PUP2007	PUP2027	PUP2047	PUP2007B	PUP2027B	PUP2047B
0/30 psi/kPa	PUP1008B	PUP1028B	PUP1048B	PUP2008	PUP2028	PUP2048	PUP2008B	PUP2028B	PUP2048B
0/60 psi/kPa	PUP1009B	PUP1029B	PUP1049B	PUP2009	PUP2029	PUP2049	PUP2009B	PUP2029B	PUP2049B
0/100 psi/kPa	PUP1010B	PUP1030B	PUP1050B	PUP2010	PUP2030	PUP2050	PUP2010B	PUP2030B	PUP2050B
0/160 psi/kPa	PUP1011B	PUP1031B	PUP1051B	PUP2011	PUP2031	PUP2051	PUP2011B	PUP2031B	PUP2051B
0/200 psi/kPa	PUP1012B	PUP1032B	PUP1052B	PUP2012	PUP2032	PUP2052	PUP2012B	PUP2032B	PUP2052B
0/300 psi/kPa	PUP1013B	PUP1033B	PUP1053B	PUP2013	PUP2033	PUP2053	PUP2013B	PUP2033B	PUP2053B
0/600 psi/kPa	-	-	-	PUP2014	PUP2034	PUP2054	PUP2014B	PUP2034B	PUP2054B
0/1,000 psi/kPa	-	-	-	PUP2015	PUP2035	PUP2055	PUP2015B	PUP2035B	PUP2055B
0/1,500 psi/kPa	-	-	-	PUP2016	PUP2036	PUP2056	PUP2016B	PUP2036B	PUP2056B
0/2,000 psi/kPa	-	-	-	PUP2017	PUP2037	PUP2057	PUP2017B	PUP2037B	PUP2057B
0/3,000 psi/kPa	-	-	-	PUP2018	PUP2038	PUP2058	PUP2018B	PUP2038B	PUP2058B
0/4,000 psi/kPa	-	-	-	PUP2019	PUP2039	PUP2059	PUP2019B	PUP2039B	PUP2059B

Order Codes

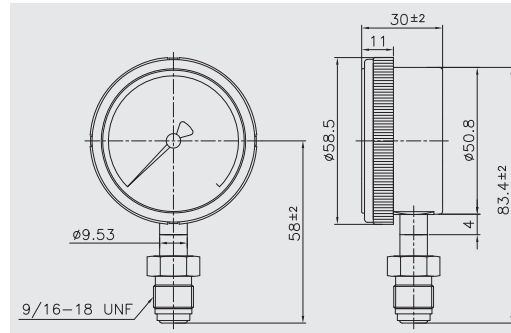
Dial Size	2.5" (63mm)					
Connection	1/4" NPTM Bottom	Male Swivel Bottom	Female Swivel Bottom	1/4" NPTM Back	Male Swivel Back	Female Swivel Back
30" Hg Vac/kPa	PUP2500	PUP2520	PUP2540	PUP2500B	PUP2520B	PUP2540B
30"/0/15 psi/kPa	PUP2501	PUP2521	PUP2541	PUP2501B	PUP2521B	PUP2541B
30"/0/30 psi/kPa	PUP2502	PUP2522	PUP2542	PUP2502B	PUP2522B	PUP2542B
30"/0/60 psi/kPa	PUP2503	PUP2523	PUP2543	PUP2503B	PUP2523B	PUP2543B
30"/0/100 psi/kPa	PUP2504	PUP2524	PUP2544	PUP2504B	PUP2524B	PUP2544B
30"/0/150 psi/kPa	PUP2505	PUP2525	PUP2545	PUP2505B	PUP2525B	PUP2545B
30"/0/200 psi/kPa	PUP2506	PUP2526	PUP2546	PUP2506B	PUP2526B	PUP2546B
30"/0/300 psi/kPa	PUP2507	PUP2527	PUP2547	PUP2507B	PUP2527B	PUP2547B
0/30 psi/kPa	PUP2508	PUP2528	PUP2548	PUP2508B	PUP2528B	PUP2548B
0/60 psi/kPa	PUP2509	PUP2529	PUP2549	PUP2509B	PUP2529B	PUP2549B
0/100 psi/kPa	PUP2510	PUP2530	PUP2550	PUP2510B	PUP2530B	PUP2550B
0/160 psi/kPa	PUP2511	PUP2531	PUP2551	PUP2511B	PUP2531B	PUP2551B
0/200 psi/kPa	PUP2512	PUP2532	PUP2552	PUP2512B	PUP2532B	PUP2552B
0/300 psi/kPa	PUP2513	PUP2533	PUP2553	PUP2513B	PUP2533B	PUP2553B
0/600 psi/kPa	PUP2514	PUP2534	PUP2554	PUP2514B	PUP2534B	PUP2554B
0/1,000 psi/kPa	PUP2515	PUP2535	PUP2555	PUP2515B	PUP2535B	PUP2555B
0/1,500 psi/kPa	PUP2516	PUP2536	PUP2556	PUP2516B	PUP2536B	PUP2556B
0/2,000 psi/kPa	PUP2517	PUP2537	PUP2557	PUP2517B	PUP2537B	PUP2557B
0/3,000 psi/kPa	PUP2518	PUP2538	PUP2558	PUP2518B	PUP2538B	PUP2558B
0/4,000 psi/kPa	PUP2519	PUP2539	PUP2559	PUP2519B	PUP2539B	PUP2559B

Other ranges and connection sizes available upon request. For scale change, refer to How to Order Guide for scale codes.

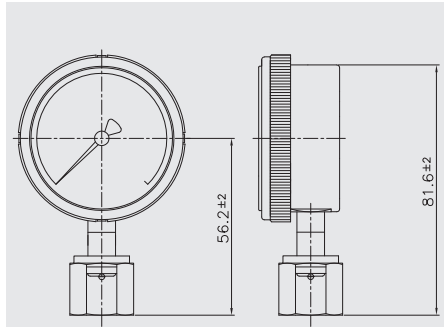
1/4" Male NPT Bottom Connection



Male Swivel Bottom Connection



Female Swivel Bottom Connection



1/4" Male NPT Bottom Connection Male Swivel Bottom Connection Female Swivel Bottom Connection

