



Description & Features:

- Heavy-duty, explosion-proof, differential pressure switch
- Low pressure to 500 psi
- High current ratings for 1 x SPDT or 2 x SPDT switches
- Fixed deadband
- Die cast aluminum construction with welded seal
- 1% accuracy
- IP68 rated including Hermetically sealed option
- cULus listed and cRU recognized
- CRN registration pending
- 5 year warranty

Applications:

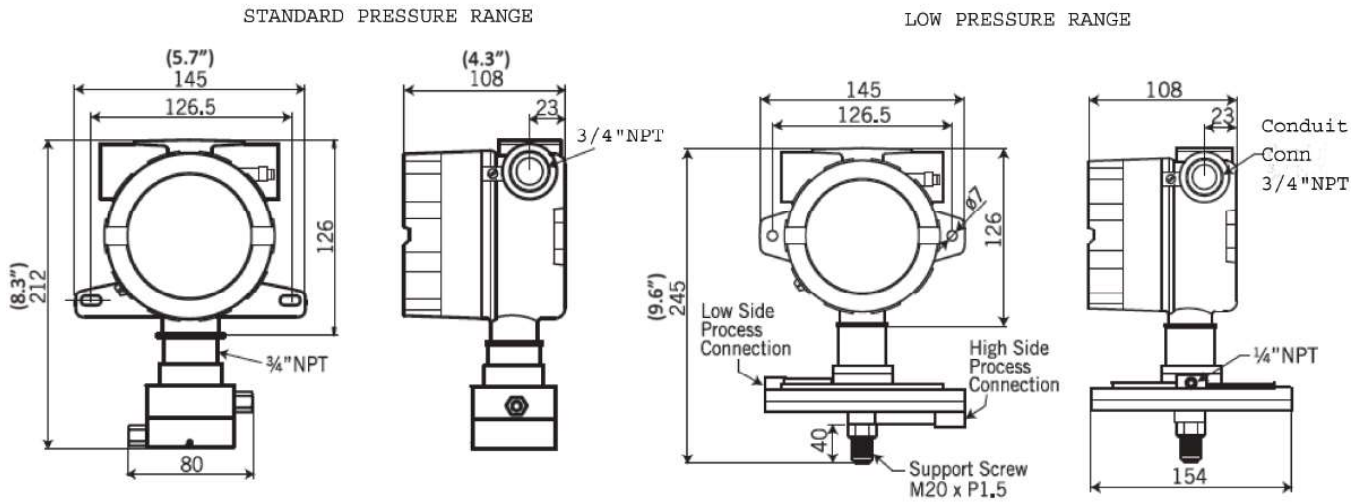
- Suitable for differential pressure applications in hazardous areas including filter monitoring and control

Specifications	
Housing	Heavy-duty die-cast aluminum, blue colour
Accuracy	+/- 1% of the adjustable set-point range
Pressure Connection	Female 1/4" NPT, BSP
Electrical Connection	Female 1/2" or 3/4" NPT, M20xP1.5
Wetted Parts	Low pressure ranges - 316 Stainless Steel welded & Titanium High pressure ranges - 316 Stainless Steel welded
Set Point Adjustment	Field selectable
Deadband	Fixed, see Order Codes
Contact Ratings	Fixed Deadband: 15A @ 125/250VAC, 0.4A @ 125VDC, 3A @ 30VDC Hermetically sealed switch 5A @ 250VAC Gold contact microswitch 1A @ 125/250VAC
No. of Contacts	1 x SPDT or 2 x SPDT
Ambient/Process Temperature	-30 to 205 deg C (-22 to 400 deg F)
Enclosure Rating	IP68 Protection from dust ingress and submersion in fresh water to a maximum depth of 1.5 metres for up to 30 minutes
Approvals	cULus listed, Class I Division 1 Groups A, B, C & D; Class II Division 1 Groups E, F & G (housing) cRU recognized, file no E12252 (switch) CRN registration pending
Weight	7.5 lbs (3.4 kg)

Order Codes

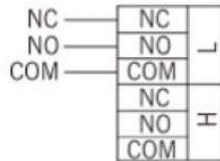
Adjustable Range PSI	Dead Band PSI	Proof Pressure PSI	3/4" NPT Electrical
			1/4" NPT Process
400-1,900 mmH2O (15.7-74.8" H2O)	30-80 mmH2O (1.2-3.1" H2O)	750	10WPSL2406F2F301U
1,000-10,000 (39.4-393.7" H2O)	70-200 mmH2O (2.8-7.9" H2O)	750	10WPSL4006F2F301U
3-28	0.015-0.3	1,000	10WPS0106F2F301U
7-100	0.2-0.5	1,000	10WPS0206F2F301U
35-200	0.3-0.6	1,000	10WPS0306F2F301U
50-500	0.3-0.8	1,000	10WPS0406F2F301U

Dimensions

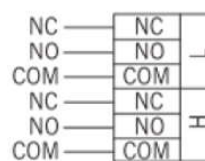


Wiring Schematic

1 x SPDT



2 x SPDT



Engineering Code

SERIES

PRESSURE RANGES PSI

Pressure Range		Deadband	Proof Pressure PSI
Min	Max		
3	28	0.15-1.4	1,000
7	100	0.35-5	1,000
35	200	1.75-10	1,000
50	500	2.5-25	1,000
<hr/>			
400	1,900	30-80	750
1,000	10,000	70-200	750

Low Pressure Ranges, mmH2O

WETTED PARTS

316 Stainless Steel, diaphragm welded (standard)
 316 Stainless Steel & Titanium (low pressure, standard)

PROCESS CONNECTION

1/2" NPT Female
 1/4" NPT Female
 1/2" BSP Female
 1/4" BSP Female
 1/2" PT Female
 1/4" PT Female
 M20 X P1.5

CONDUIT CONNECTION

3/4" NPT Female (standard)
 1/2" NPT Female
 M20 X P1.5

SWITCH TYPE

Micro Switch, 1 x SPDT
 Micro Switch, 2 x SPDT (one setpoint)
 Gold Contact, 1 x SPDT
 Gold Contact, 2 x SPDT (one setpoint)
 Hermetically Sealed Switch, 1 x SPDT
 Hermetically Sealed Switch, 2 x SPDT (one setpoint)

HOUSING MATERIAL

OPTIONS

cULus Listed, Hazardous Locations
 Custom Pressure Scale (R1=psi, R2=kPa, R3=kg/cm2, R4=cmH2O, R5=ftH2O, R6=inHg, R7=mmHg, R8=inH2O, R9=ozIN2, R10=ATM, R11=bar, R12=mbar, R13=MPa, R14=mH2O, R15=mmH2O, R16=Pa)
 Customer Specific (Numbers from Z01 to Z999)

