

Explosion Proof and Adjustable Deadband Pressure Switch

6WPS &
6WPSA



Description & Features:

- Heavy-duty Explosion-proof pressure switch
- Low pressure to 4,000 psi
- High current ratings for 1 x SPDT or 2 x SPDT switches
- Fixed or adjustable deadband options
- Die cast aluminum construction with welded seal
- 1% accuracy
- IP68 rated including Hermetically sealed option
- cULus listed and cRU recognized
- CRN registration pending

Applications:

- Designed for hazardous areas including Oil & Gas, Petrochemical, Power Generation, Waste Water and others



Specifications

Housing	Heavy-duty explosion-proof die-cast aluminum, blue colour
Accuracy	+/- 1% of the adjustable set-point range
Pressure Connection	Female 1/4" or 1/2" NPT, BSP and M20xP1.5
Electrical Connection	Female 1/2" or 3/4" NPT, M20xP1.5
Wetted Parts	316 Stainless Steel welded
Set Point Adjustment	Field selectable
Deadband	Fixed or Adjustable, see Order Codes
Contact Rating	Fixed Deadband: 15A @ 125/250VAC, 0.4A @ 125VDC, 3A @ 30VDC Hermetically sealed switch 5A @ 250VAC Gold contact microswitch 1A @ 125/250VAC Adjustable Deadband: 20A @ 125/250/480VAC, 5A @ 125VDC
No. of Contacts	1 x SPDT or 2 x SPDT (only 1 x SPDT available for Adjustable Deadband range)
Ambient/Process Temperature	-30 to 205 deg C (-22 to 400 deg F)
Enclosure Rating	IP68, Protection from dust ingress and submersion in fresh water to a maximum depth of 1.5 metres for up to 30 minutes
Approvals	cULus listed, Class I Division 1 Groups A, B, C & D; Class II Division 1 Groups E, F & G (housing) cRU recognized, file no E12252 (switch only) CRN registration pending
Weight	3.95 lbs (1.79 kg)

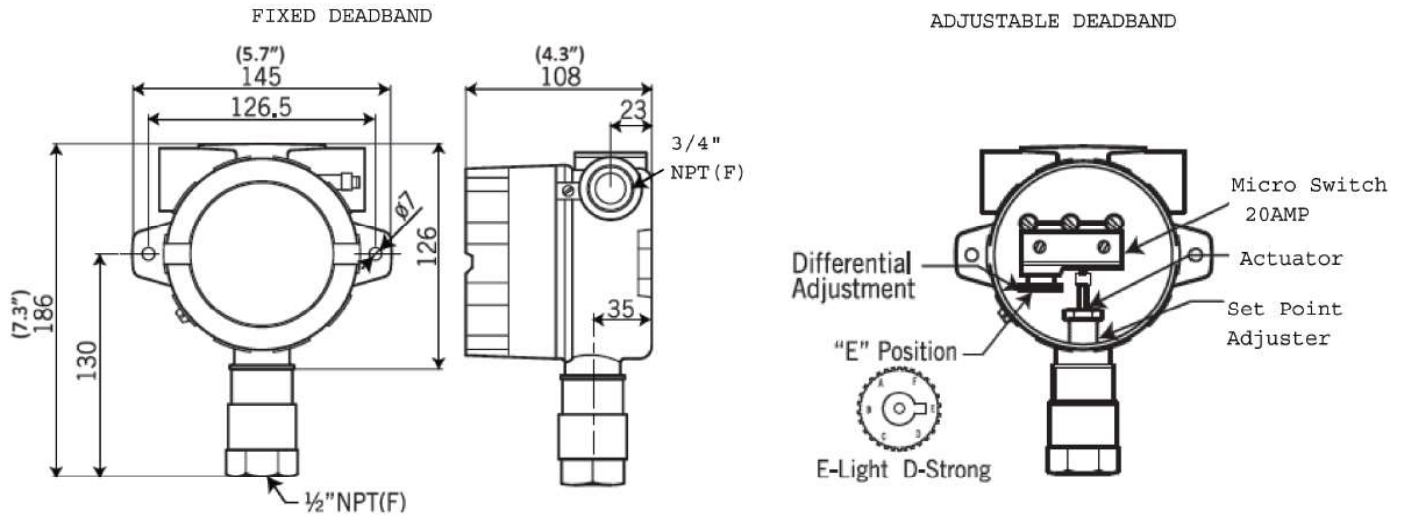
Explosion Proof and Adjustable Deadband Pressure Switch

Order Codes

Adjustable Range PSI	Fixed Dead Band Per Switch Type, PSI			Proof Pressure PSI	Micro Switch Option with 3/4" NPT Electrical	
	Micro	Hermetically Sealed	Gold Contact		1/4" NPT Process	1/2" NPT Process
10-100	0.9-2.1	5.4-12	4.7-9.2	3,000	6WPS0106F4F301U	6WPS0106F2F301U
35-200	1.4-5.4	5.4-18.5	4.7-11.4	3,000	6WPS0206F4F301U	6WPS0206F2F301U
50-300	1.4-6.9	5.4-45.5	5.3-37	3,000	6WPS0306F4F301U	6WPS0306F2F301U
100-600	1.7-15.1	5.7-66.7	5.3-78	3,000	6WPS0606F4F301U	6WPS0606F2F301U
100-1,300	5.5-15	5.7-126.4	5.3-106.5	3,000	6WPS1306F4F301U	6WPS1306F2F301U
300-2,400	19.6-39.5	19.9-227.2	16.9-165	4,000	6WPS2406F4F301U	6WPS2406F2F301U
400-4,000	32.5-65.6	19.9-326.6	16.9-213	5,000	6WPS4006F4F301U	6WPS4006F2F301U

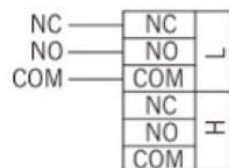
Adjustable Range PSI	Adjustable Dead Band E-position PSI	Proof Pressure PSI	Micro Switch Option with 3/4" NPT Electrical	
			1/4" NPT Process	1/2" NPT Process
10-100	10-25	3,000	6WPSA0106F4F301U	6WPSA0106F2F301U
35-200	12-30	3,000	6WPSA0206F4F301U	6WPSA0206F2F301U
50-300	28-50	3,000	6WPSA0306F4F301U	6WPSA0306F2F301U
100-600	28-60	3,000	6WPSA0606F4F301U	6WPSA0606F2F301U
200-1,300	42-100	3,000	6WPSA1306F4F301U	6WPSA1306F2F301U

Dimensions

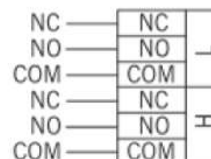


Wiring Schematic

1 x SPDT



2 x SPDT



Engineering Code

SERIES PRESSURE RANGES (PSI)

Fixed Deadband

Pressure Range		Deadband	Proof Pressure PSI
Min	Max		
10	100	0.9-2.1	3,000
35	200	1.4-5.4	3,000
50	300	1.4-6.9	3,000
100	600	1.7-15.1	3,000
100	1,300	5.5-15	3,000
300	2,400	19.6-39.5	4,000
400	4,000	32.5-65.6	5,000

Adjustable Deadband

10	100	10-25	3,000
35	200	12-30	3,000
50	300	28-50	3,000
100	600	28-60	3,000
200	1,300	42-100	3,000

WETTED PARTS

PROCESS CONNECTION

316 Stainless Steel, diaphragm welded (standard)

1/2" NPT Female

1/4" NPT Female

1/2" BSP Female

1/4" BSP Female

1/2" PT Female

1/4" PT Female

M20 X P1.5

CONDUIT CONNECTION

3/4" NPT Female (standard)

1/2" NPT Female

M20 X P1.5

SWITCH TYPE

Micro Switch, 1 x SPDT

Micro Switch, 2 x SPDT (one setpoint), *not available for Adjustable Deadband*

Gold Contact, 1 x SPDT, *not available for Adjustable Deadband*

Gold Contact, 2 x SPDT (one setpoint), *not available for Adjustable Deadband*

Hermetically Sealed Switch, 1 x SPDT, *not available for Adjustable Deadband*

Hermetically Sealed Switch, 2 x SPDT (one setpoint), *not available for Adjustable Deadband*

HOUSING MATERIAL

OPTIONS

Custom Pressure Scale (R1=psi, R2=kPa, R3=kg/cm², R4=cmH₂O, R5=ftH₂O, R6=inHg, R7=mmHg, R8=inH₂O, R9=oz/IN², R10=ATM, R11=bar, R12=mbar, R13=MPa, R14=mH₂O, R15=mmH₂O, R16=Pa)

Customer Specific (Numbers from Z01 to Z999)

6 W P S - [] - [] - [] - [] - [] - [] - [] - [] - [] - []

6 W P S A - 0 1 0

0 1 0

0 2 0

0 3 0

0 6 0

1 3 0

2 4 0

4 0 0

6

F 2

F 4

B 2

B 4

P 2

P 4

M 2

F 3

F 2

M 2

0 1

0 2

3 A

3 B

4 A

4 B

U

R X X X

Z # # #