

30" Hg to 30 psi (-100 to 200 kPa)



Description & Features:

- Two piece construction and designed to withstand even the most severe process applications
- "Continuous use" seals - backing plate will prevent diaphragm from rupturing if pressure sensing instrument fails. Pressure will be held until instrument is replaced
- Diaphragm is separable for servicing and is available with a 1/4" NPT flushing connection for removing any material which may clog the process connection
- Standard diaphragm is constructed of AISI 316 stainless steel and welded to the upper chamber of the seal
- ASME B40.100 compliant
- 5 year warranty

Applications:

- Where the media is low in pressure and the process fluid is corrosive or viscous and would clog instrument internals/solidify within the pressure gauge, switch or transmitter

Specifications

Specifications	
Housing	316 SS, Monel®, Hastelloy® C
Diaphragm	316 SS, Monel®, Hastelloy® C
Construction	Two piece construction
Gasket Material	Buna N (FKM, PTFE optional)
Connection	Bottom: 1/4", 1/2", 3/4" and 1" NPTF Top: 1/4" and 1/2" NPTF
Process Temperature	-22°F to 212°F (-30°C to 100°C)
Other	Flushing connection available.

Hastelloy® is a registered trademark of Haynes International, Inc.

Monel® is a registered trademark of Inco Alloys International

Order Codes (products in bold are normally stock in North America)

Lower Housing (Bottom)	
316 SS, 1/4" NPTF	D74954
316 SS, 1/2" NPTF	D74956
316 SS, 1/2" NPTF with flushing	D74957
316 SS, 3/4" NPTF	D74963
316 SS, 3/4" NPTF with flushing	D74959
316 SS, 1" NPTF	D74964
316 SS, 1" NPTF with flushing	D74965
316 SS, 1/4" NPTM	D74854
316 SS, 1/2" NPTM	D74856
316 SS, 1/2" NPTM with flushing	D74857
316 SS, 3/4" NPTM	D7463
316 SS, 3/4" NPTM with flushing	D74859
316 SS, 1" NPTM	D74864
316 SS, 1" NPTM with flushing	D74865
Monel®, 1/4" NPTF	D74954M
Monel®, 1/2" NPTF	D74956M
Monel®, 1/2" NPTF with flushing	D74957M
Monel®, 1" NPTF	D74964M
Monel®, 1" NPTF with flushing	D74965M
Monel®, 1/4" NPTM	D74854M
Monel®, 1/2" NPTM	D74856M
Monel®, 1/2" NPTM with flushing	D74857M
Monel®, 1" NPTM	D74864M
Monel®, 1" NPTM with flushing	D74865M
Hastelloy® C, 1/4" NPTF	D74954HASC
Hastelloy® C, 1/2" NPTF	D74956HASC
Hastelloy® C, 1/2" NPTF with flushing	D74957HASC
Hastelloy® C, 3/4" NPTF	D74963HASC
Hastelloy® C, 3/4" NPTF with flushing	D74959HASC
Hastelloy® C, 1" NPTF	D74964HASC
Hastelloy® C, 1" NPTF with flushing	D74965HASC
Hastelloy® C, 1/4" NPTM	D74854HASC
Hastelloy® C, 1/2" NPTM	D74856HASC
Hastelloy® C, 1/2" NPTM with flushing	D74857HASC
Hastelloy® C, 3/4" NPTM	D74863HASC
Hastelloy® C, 3/4" NPTM with flushing	D74859HASC
Hastelloy® C, 1" NPTM	D74864HASC
Hastelloy® C, 1" NPTM with flushing	D74865HASC

Upper Housing (Top)	
316 SS, 1/4" NPTF 316 SS diaphragm	D74950
316 SS, 1/4" NPTF Monel® diaphragm	D74950M
316 SS, 1/4" NPTF Hastelloy® C diaphragm	D74950HASC
316 SS, 1/2" NPTF 316 SS diaphragm	D74952
316 SS, 1/2" NPTF Monel® diaphragm	D74952M
316 SS, 1/2" NPTF Hastelloy® C diaphragm	D74952HASC

Option suffix for above order code only:

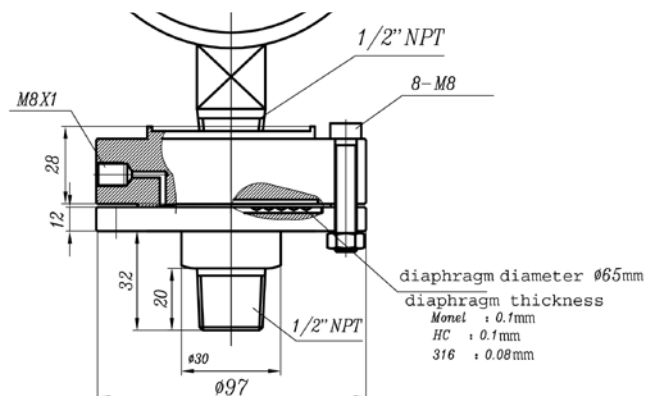
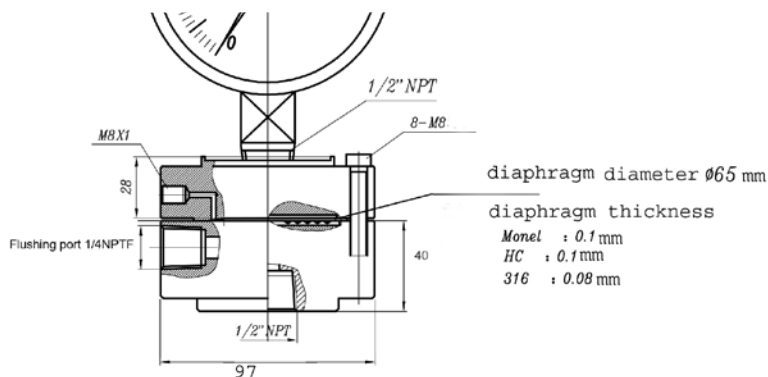
SF-D = Silicone fill (seal only)

FL-D = Fluorolube fill (seal only)

Other fill fluids (seal only) available upon request

Note: Both upper and lower housing must be specified

Example: D74954 - D74950



Hastelloy® is a registered trademark of Haynes International, Inc.
 Monel® is a registered trademark of Inco Alloys International