

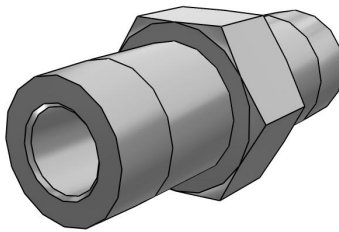


ENGINEERING YOUR SUCCESS.

Parker Hannifin Corporation  
Tube Fittings Division  
3885 Gateway Blvd  
Columbus, OH 43228 USA  
Phone: 614 279 7070  
Fax: 614 279 7685

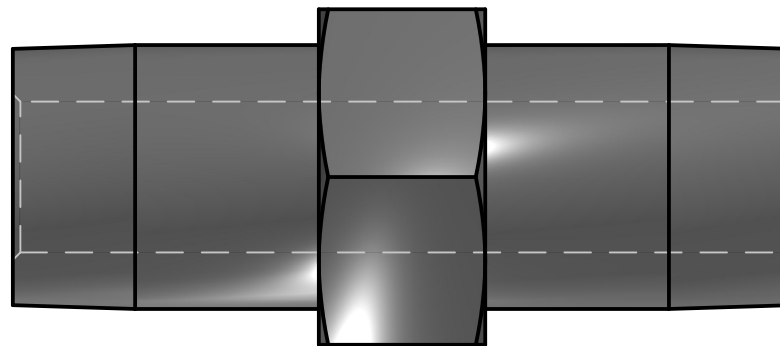
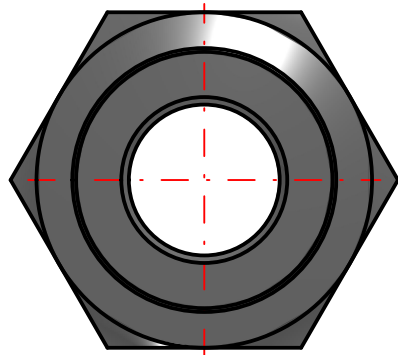
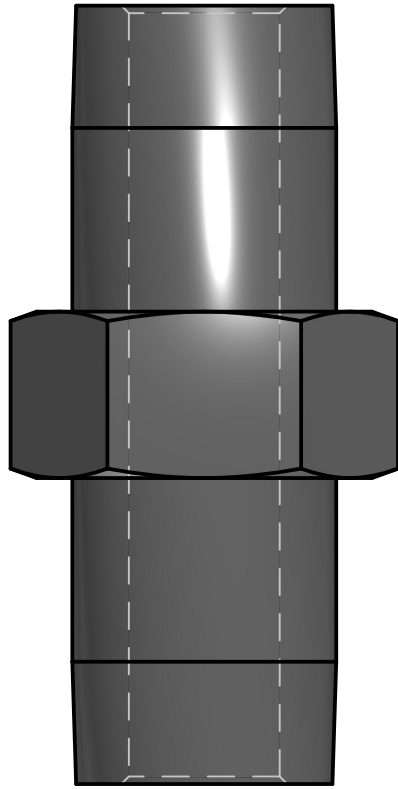
## PARKER Tube Fittings Pipe Fittings and Port Adapters

PART Number: 1/4 FF-S



*Interactive 3D graphic, click to activate and rotate  
(3D capable PDF viewer required)*

Technical Data	
Part Number	1/4 FF-S
Series Name	Pipe Fittings and Port Adapters
Series Code	Pipe Fittings-Port Adapters
Division ID	687620
Division Name	Tube Fittings Division
Company	Parker Hannifin



**Disclaimer:**

Parker Tube Fittings has a continuous policy of product development and although the Company reserves the right to change specifications, it attempts to keep customers informed of any alterations. This publication is for general information only and customers are requested to contact our Tube Fittings Sales Department for detailed information and advice on a products suitability for specific applications. All products are sold subject to the company's Standard conditions of sale.

1/4 FF-S



Price: contact Parker