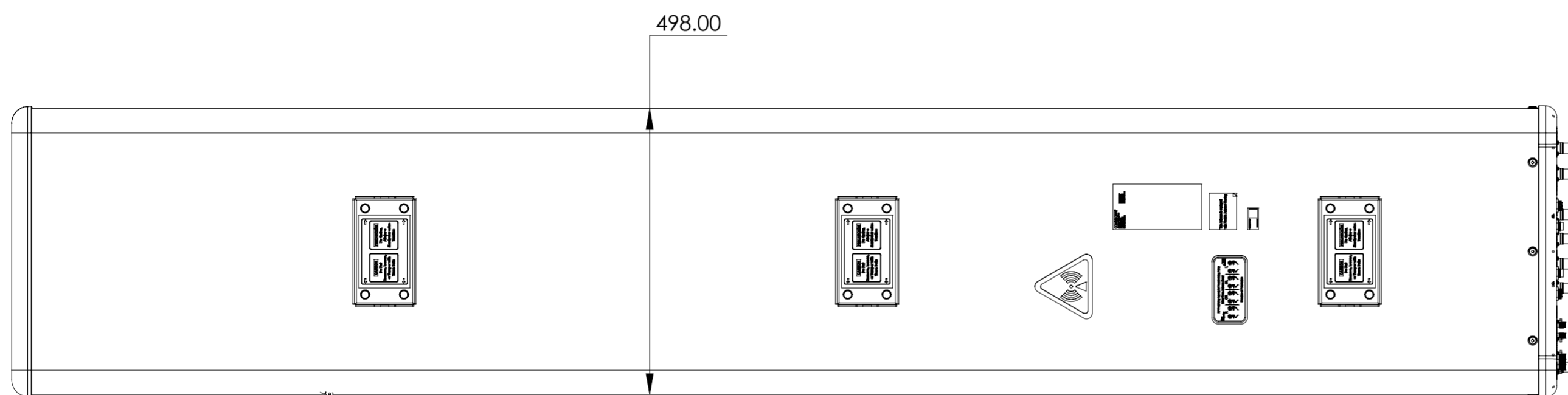
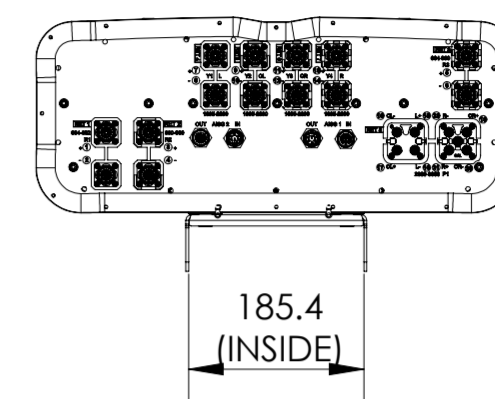
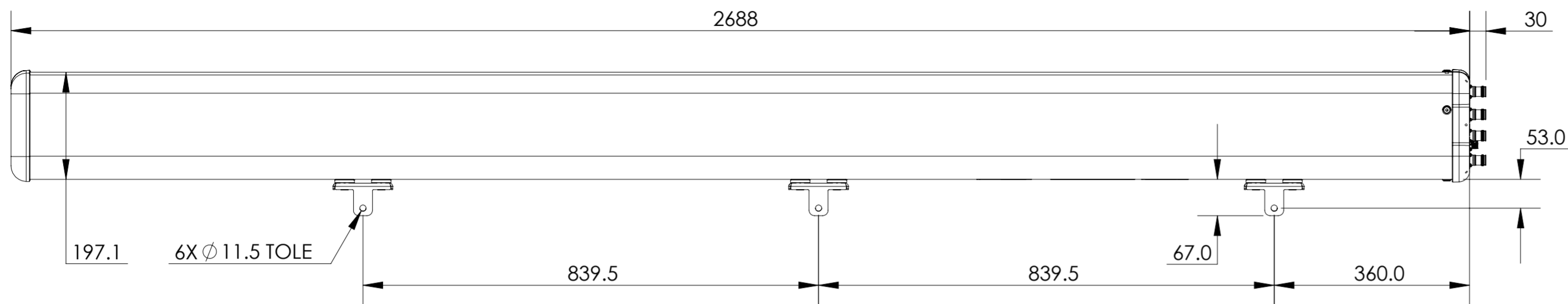


REVISIONS			
REV.	DESCRIPTION	DATE	APPROVED
A	ECR 10207PC: REL TO PRODUCTION PER EAO 609463.	27APR21 PL	LBY/JDS



EGRV4Q4-65D-R8

COMMSCOPE, INC. OF NORTH CAROLINA

TOLERANCES		SAP MATERIAL MASTER	
0 PLACE X ±	2 PLACE .XX ±		
1 PLACE .X ±	ANGLES ±		
FINISH		MATERIAL	

UNLESS OTHERWISE SPECIFIED DIMENSIONS ARE IN MILLIMETERS INTERPRET PER ISO STANDARDS HANDBOOK TECHNICAL DRAWINGS VOLUMES 1 & 2, THIRD EDITION (2002)	NAME	DATE	TITLE
	CE MC1105	08/05/2020	PRODUCT DRAWING
	RW MC1105	09/04/2020	
	RV ZG1008	09/04/2020	
	AD KXU	09/04/2020	
RE ZHHCHEN	09/04/2020		
ECN 8000041051-O			SCALE: 1:8
			DOCUMENT NO. EGRV4Q4-65D-R8-L

DENSITY	g/mm ³		MODEL			DRAWING			SHEET 1 OF 1			
MASS	grams		SIZE	WORK AREA	23	VERSION	STATUS	REVISION		VERSION	STATUS	REVISION
VOLUME	mm ³		A2			00	RE	A		00	RE	A
SURFACE AREA	mm ²											
HEIGHT												
LENGTH												
WIDTH												